

PFI PRODUCT CATALOG

## HINGED DOORS

**Hinged doors are those which are used for passage of pallet trucks or personnel in the areas having insufficient space for sliding.**

They are used in smaller passage areas compared to sliding doors. With single and double-blade alternatives, PFI hinged doors always have an option suitable for your needs.

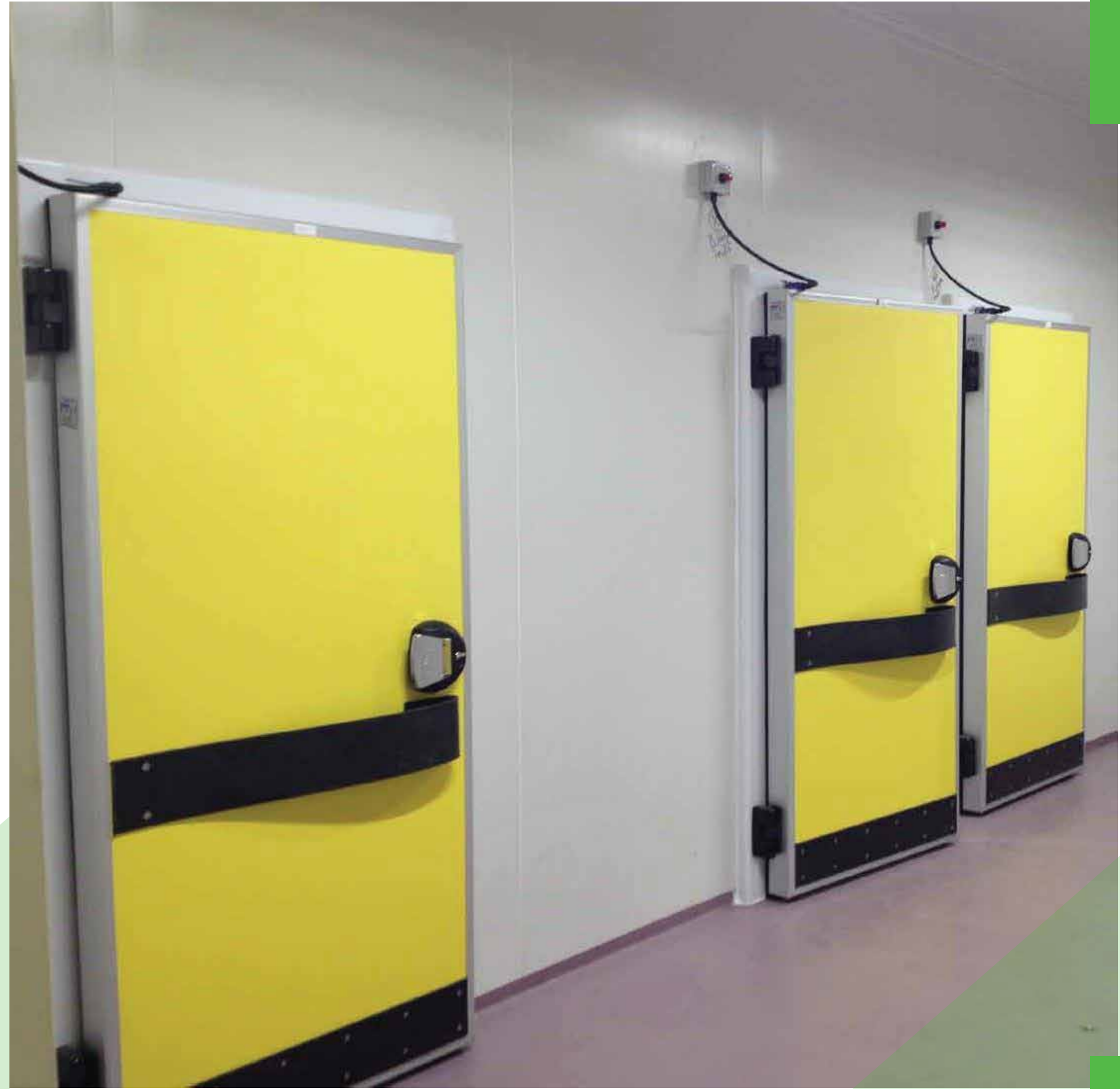


With designs having no organic material and thermal bridges, PFI hinged doors are manufactured in various thicknesses (60mm, 70mm, 80mm, 90mm, 100mm, 120mm and 150mm) depending on the desired heat value at which the environment is maintained. PFI offers the best-performing products so that you can safely store your products within a heat range of  $\pm 80^{\circ}\text{C}$ .

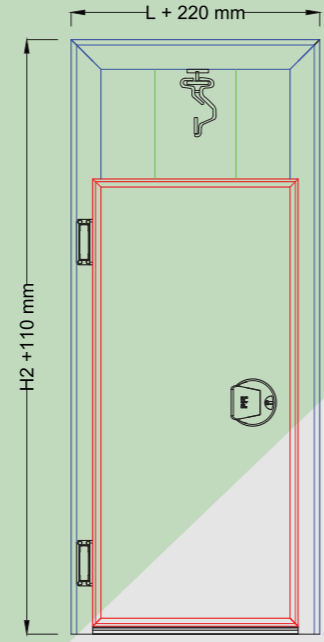
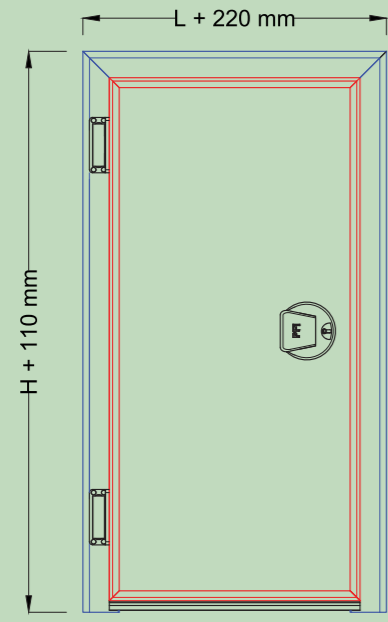
Being manufactured by mono-block door blade method, PFI doors will be more durable and long lasting. Supporting sheets and supporting equipment are placed into the wing for a long service life of anodized aluminum profiles, surface plate and door supplementary products forming wing frame.

They do not undergo any kind of deformation when any type of chemical disinfectant applied.

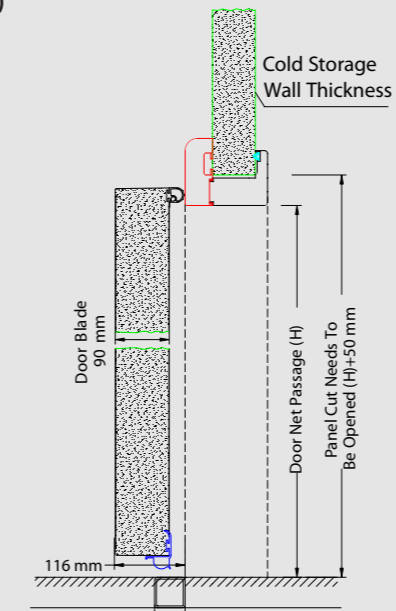
Numerous accessories option allow you to design your doors according to your needs. We can design doors tailored to your needs with the alternatives such as special design product options for atmosphere-controlled rooms and rail passage system areas, optional viewing and opening windows with broken thermal bridges, kick plates for protecting surface of door against impact etc.



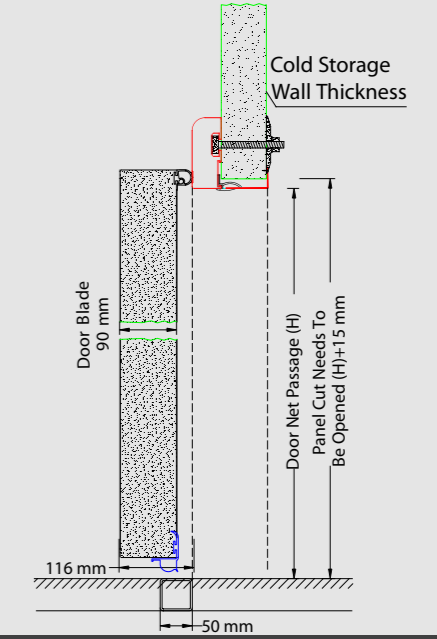
# HINGED DOORS



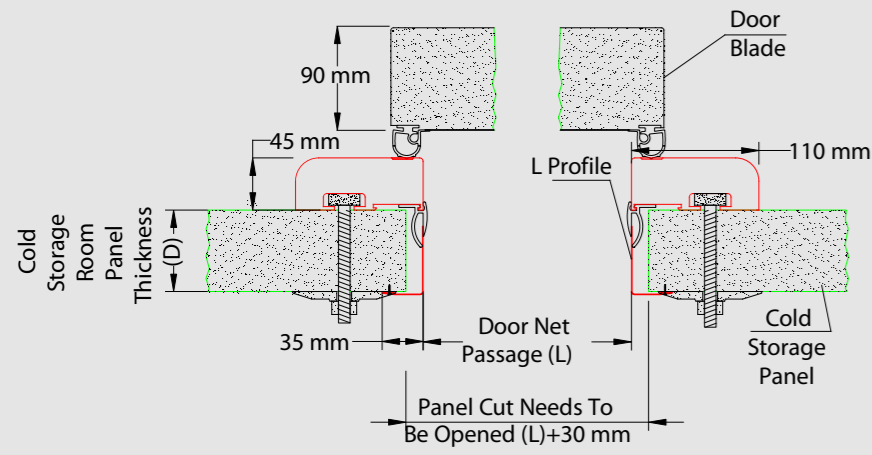
TCP FRAME (CROSS SECTION)  
S2D THRESHOLD



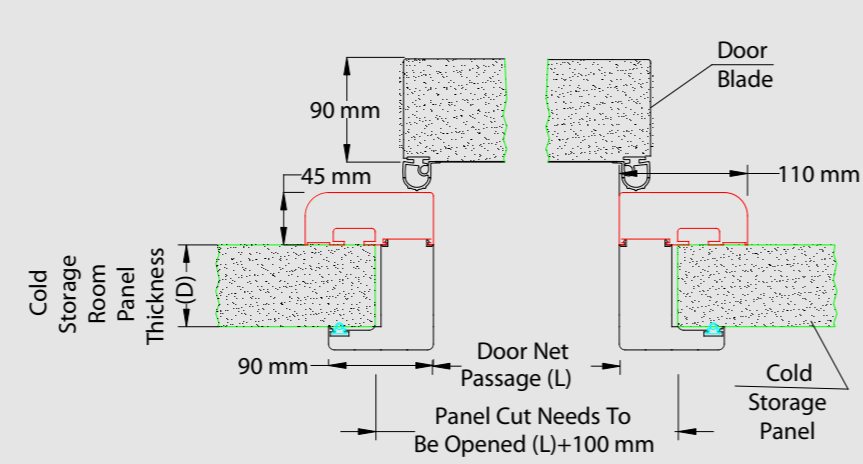
TPP FRAME (CROSS SECTION)  
S2D THRESHOLD



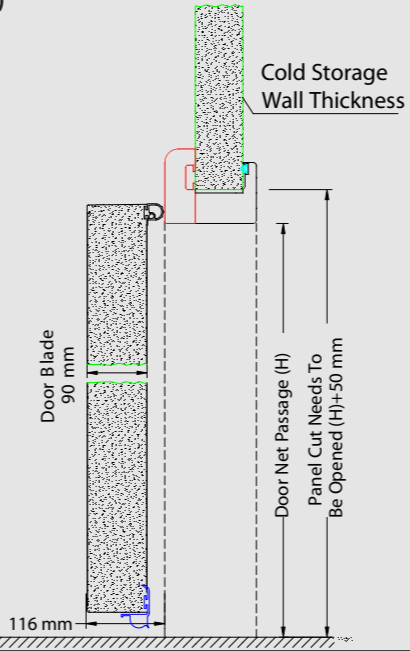
TCP FRAME (UPPER SECTION)



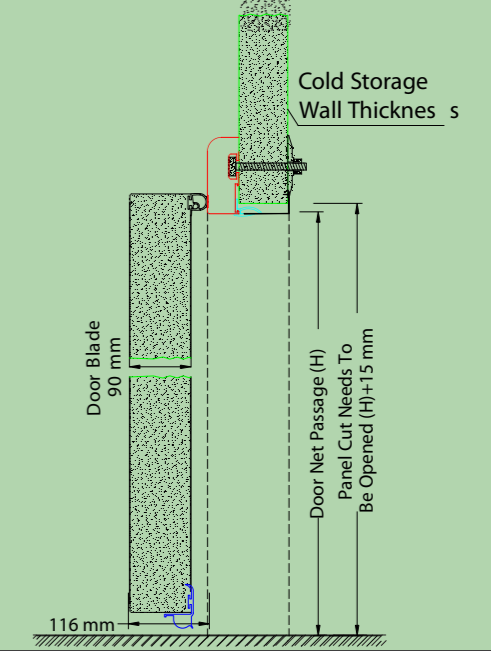
TPP FRAME (UPPER SECTION)



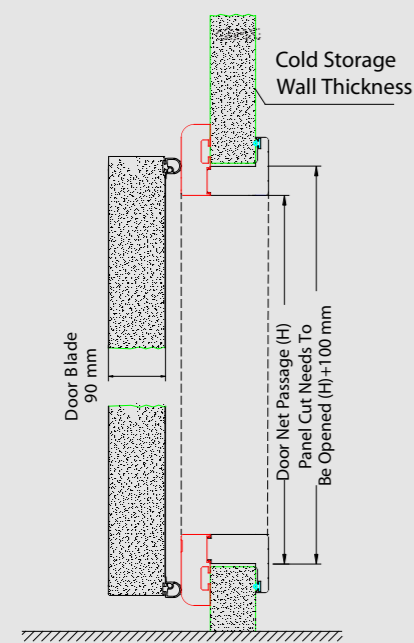
TCP FRAME (CROSS SECTION)  
S3 THRESHOLD



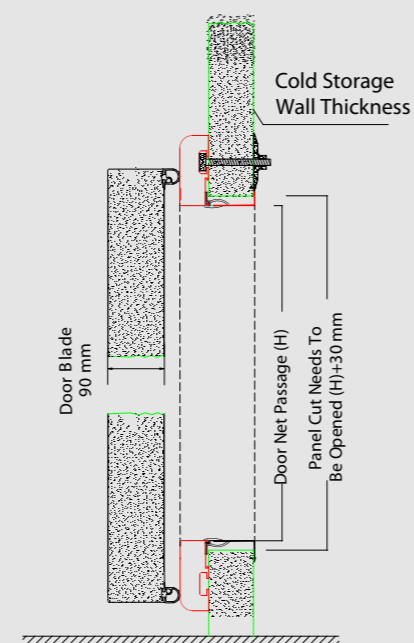
TPP FRAME (CROSS SECTION)  
S3 THRESHOLD



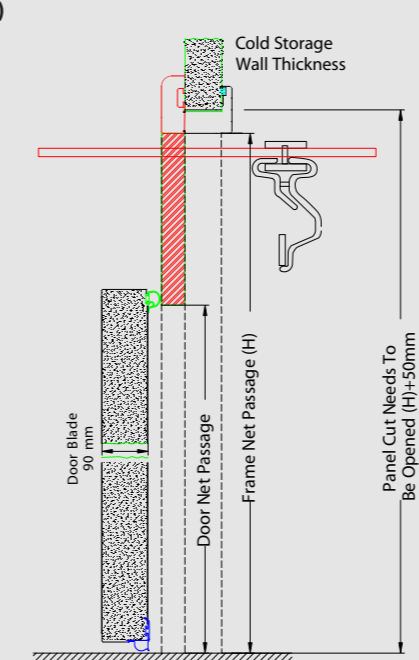
TCP FRAME (CROSS SECTION)  
S2 THRESHOLD



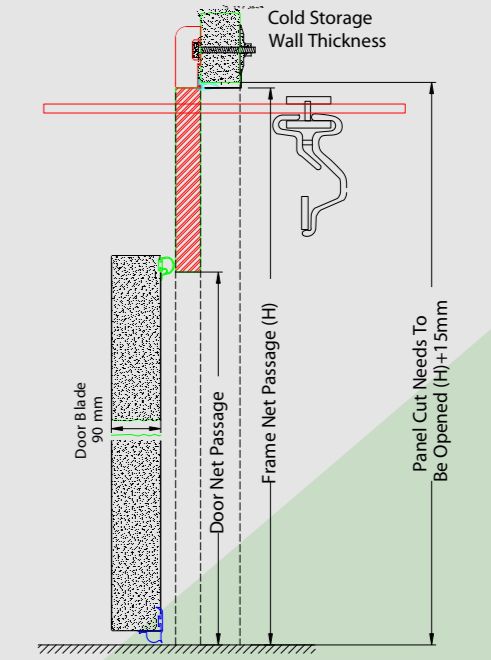
TPP FRAME (CROSS SECTION)  
S2 THRESHOLD



TCP FRAME (CROSS SECTION)  
WITH RAIL PASSAGE  
S2 THRESHOLD



TPP FRAME (CROSS SECTION)  
WITH RAIL PASSAGE  
S2 THRESHOLD



# HINGED DOORS

		COLD STORAGE DOORS		FREEZER ROOMS			
		CTN7	CTN9	CBT9	CBT12	CBT15	
	Maintained Room Temperature	≥ 5 C°	≥ 0 C°	≥ -10 C°	≥ -25 C°	≥ -80 C°	
	Blade Thickness	70 mm	90 mm	90 mm	120 mm	150 mm	
	Maximum net passage (width)	130 cm	130 cm	120 cm	120 cm	120 cm	
	Maximum net passage (height)	580 cm	580 cm	580 cm	580 cm	580 cm	
BLADE	Blade Surface Sheet Thickness	0,5 mm - 1,2 mm	0,5 mm - 1,2 mm	0,5 mm - 1,2 mm	0,5 mm - 1,2 mm	0,5 mm - 1,2 mm	
		130µ pvc (plastisol)	130µ pvc (plastisol)	130µ pvc (plastisol)	130µ pvc (plastisol)	130µ pvc (plastisol)	
	Blade Surface Sheet Alternative	25µ Painted	25µ Painted	25µ Painted	25µ Painted	25µ Painted	
		A304 - A316	A304 - A316	A304 - A316	A304 - A316	A304 - A316	
	Handle	External	Lockable Custom Desing PFI Logo	Lockable Custom Desing PFI Logo	Lockable Custom Desing PFI Logo	Lockable Custom Desing PFI Logo	Lockable Custom Desing PFI Logo
		Internal	Luminous Emergency Exit Buttons	Luminous Emergency Exit Buttons	Luminous Emergency Exit Buttons	Luminous Emergency Exit Buttons	Luminous Emergency Exit Buttons
	Gasket	Single Line (Rubber + Sponge)	Single Line (Rubber + Sponge)	Single Line (Rubber + Sponge)	Double Line (Rubber + Sponge)	Double Line (Rubber + Sponge)	
Resistance	-	-	Resistance in Gasket 25 W/m	Resistance in Gasket 25 W/m	Resistance in Gasket 25 W/m		
FRAME	Frame Alternative	PVC / AL / INOX	PVC / AL / INOX	PVC / AL / INOX	PVC / AL / INOX	PVC / AL / INOX	
	Frame Panel/Wall Closure Alternative	TPP / TCP	TPP / TCP	TPP / TCP	TPP / TCP	TPP / TCP	
	Resistance in Frame (AL or INOX options)	-	-	-	Optional	Mandatory	
ACCESSORY OPTIONS	Double Blade Option With Rail System	-	Optional	Optional	Optional	-	
	Rail Passage System	Optional	Optional	Optional	Optional	-	
	Threshold Heater (Diathermic Oiled)	-	-	Optional (50 W/m)	Optional (50 W/m)	Mandatory (50 W/m)	
	Viewing Window (4-16-4) (Thermal Series)	Optional	Optional	Optional (with Resistance)	Optional (with Resistance)	Optional (with Resistance)	
	PVC Curtain	Optional	Optional	Optional	Optional	Optional	
	Air Curtain	Optional	Optional	Optional	Optional	Optional	
	Safety Barrier (Inox or Galvanize)	Optional	Optional	Optional	Optional	Optional	
	Kick Board	Optional	Optional	Optional	Optional	Optional	
	Light Junction Box	-	-	Standard	Standard	Standard	
	Panic Bar (Inside)	Optional	Optional	Optional	Optional	Optional	